

8 7 6 5 4 3 2 1

D

C

B

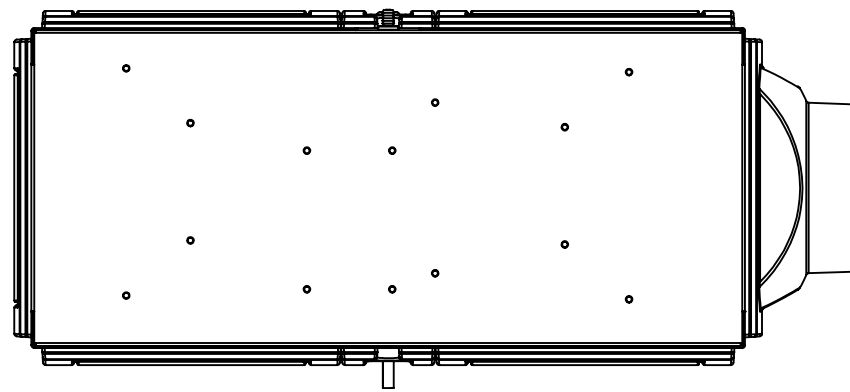
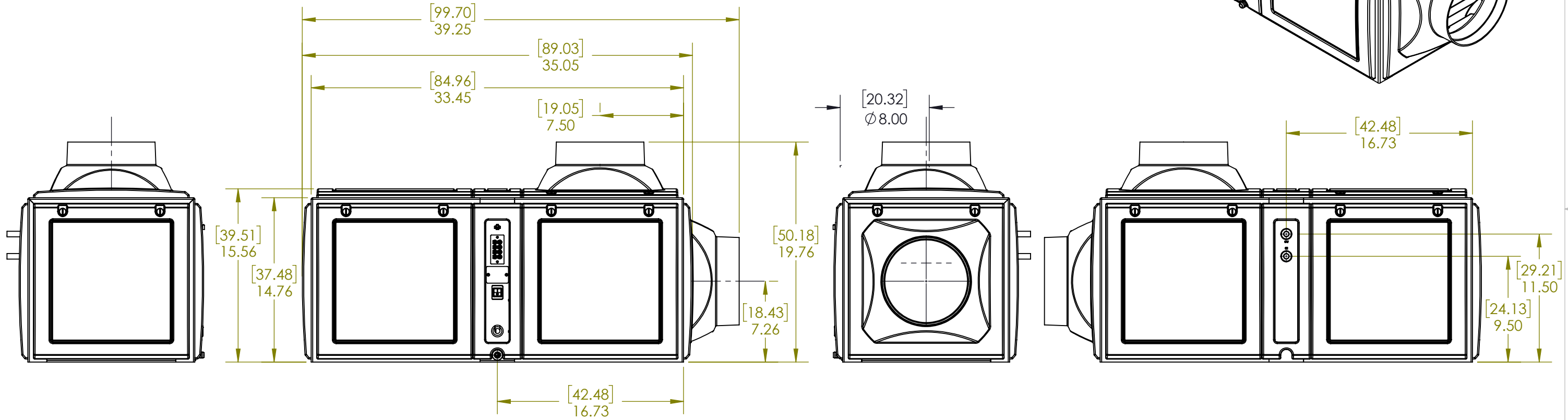
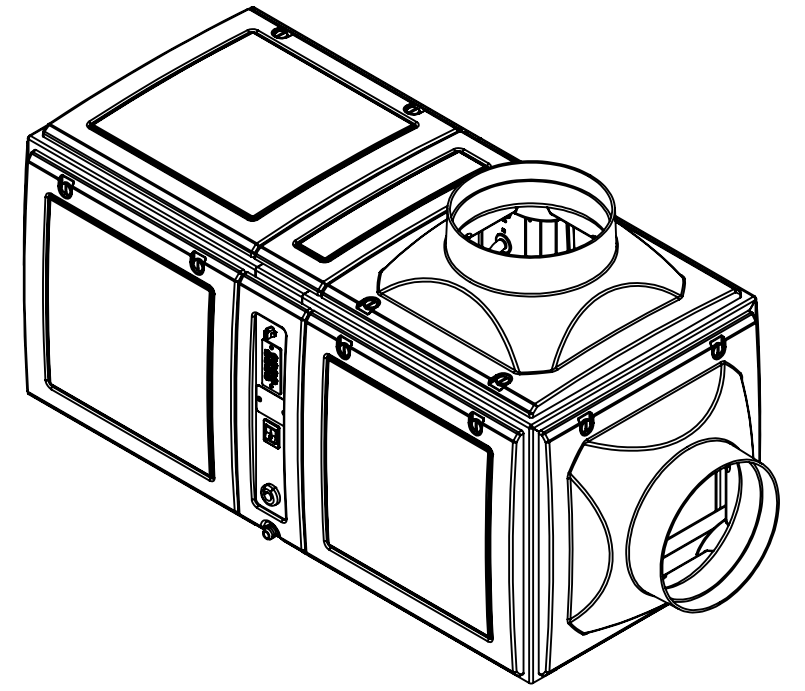
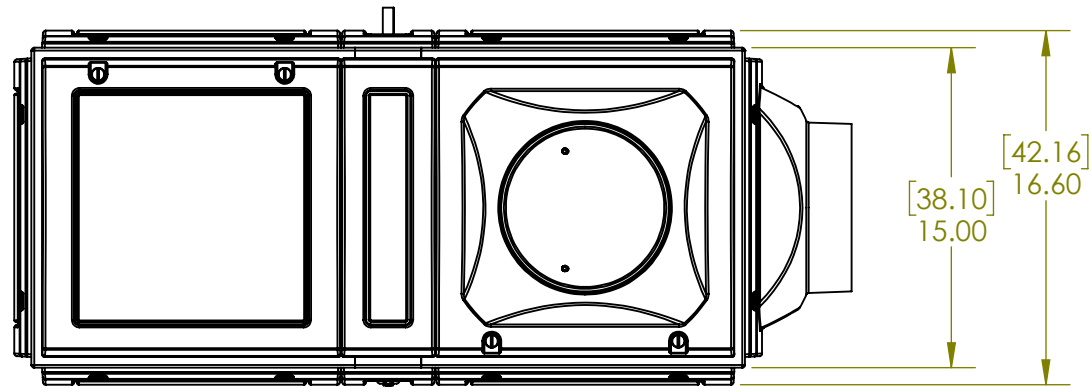
A

D

C

B

A



DIMENSIONS SHOWN WITH [] ARE CM

UNLESS OTHERWISE SPECIFIED:		NAME	DATE
DIMENSIONS ARE IN INCHES	DRAWN	MAF	03/05/21
TOLERANCES:	CHECKED		
FRACTIONAL ± 1/16	ENG APPR.		
ANGULAR: MACH ± 2 BEND ± 2	MFG APPR.		
TWO PLACE DECIMAL ± .03			
THREE PLACE DECIMAL ± .015			
INTERPRET GEOMETRIC TOLERANCING PER:	MATERIAL		
COMMENTS:	MODEL:		
-			
DO NOT SCALE DRAWING			

AIR INNOVATIONS®
 7000 PERFORMANCE DRIVE, SYRACUSE, NY 13212, Tel. 315-452-7400

TITLE: **1/4 TON WATER COOLED PRO NEXT GEN WG**

SIZE	DWG. NO.	REV
B	99H0208-20	PATENT

SHEET 1 OF 2

8 7 6 5 4 3 2 1