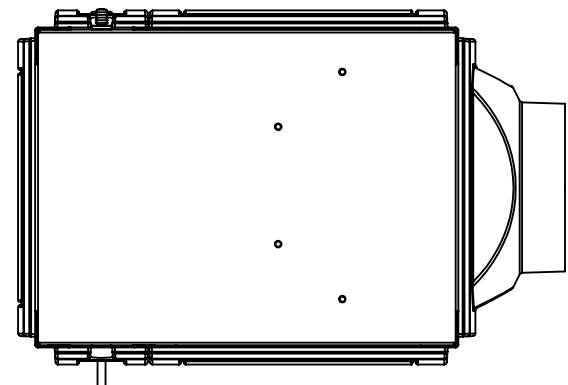
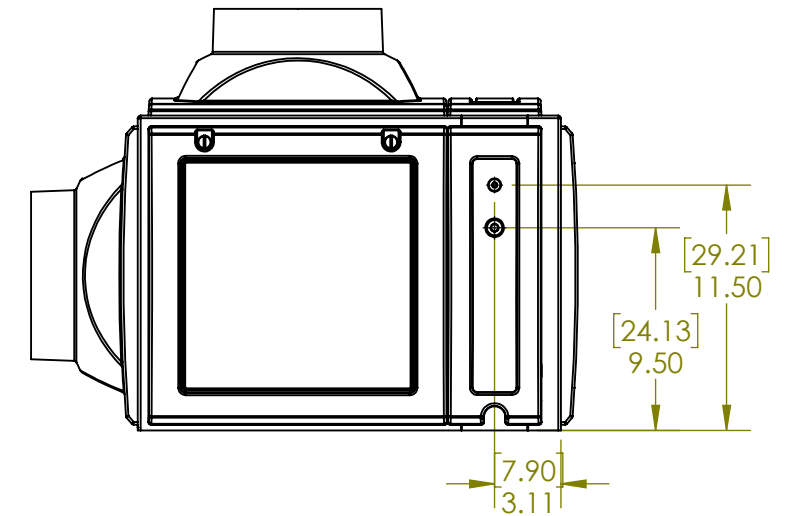
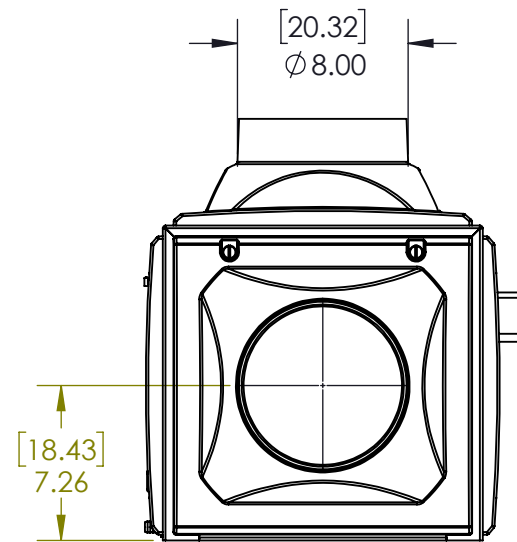
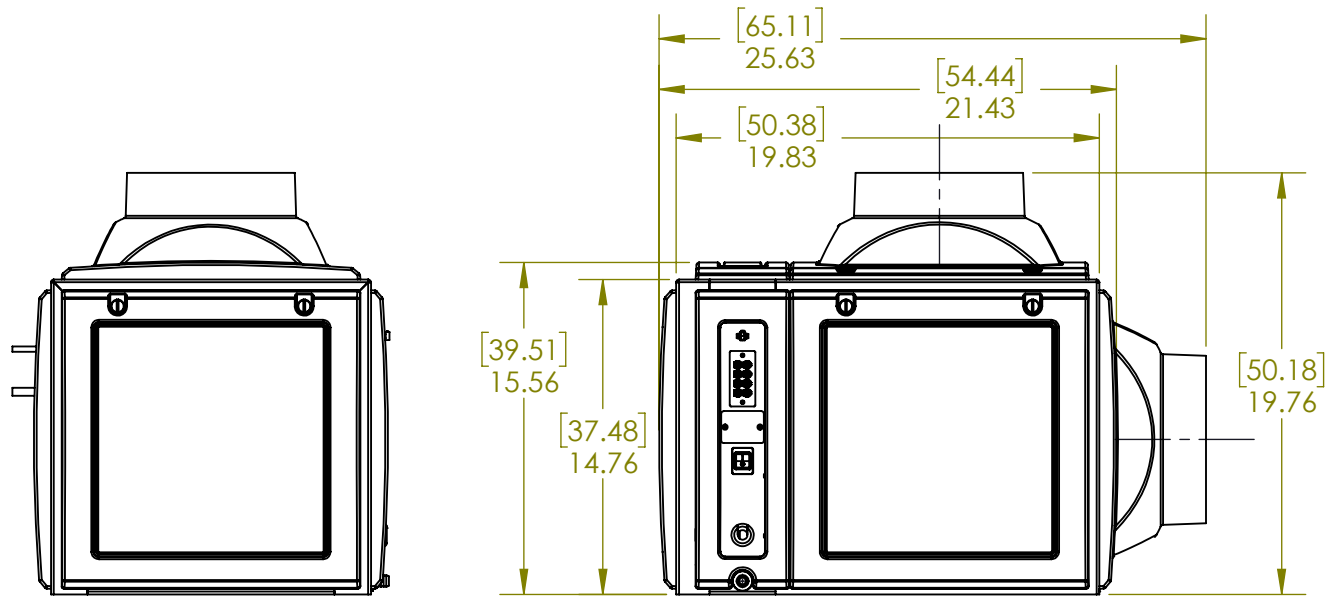
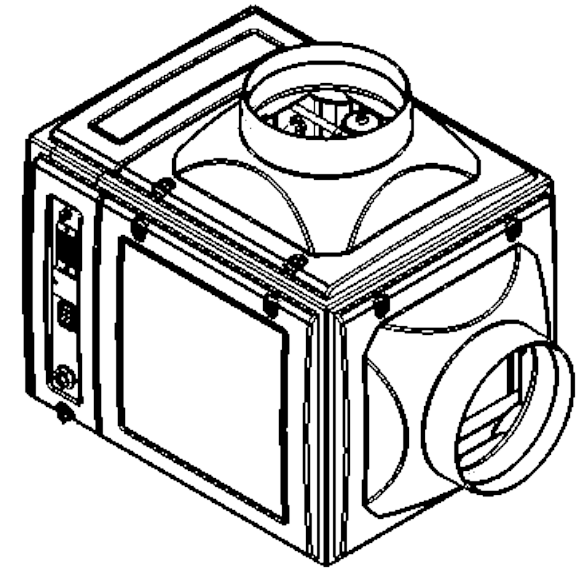
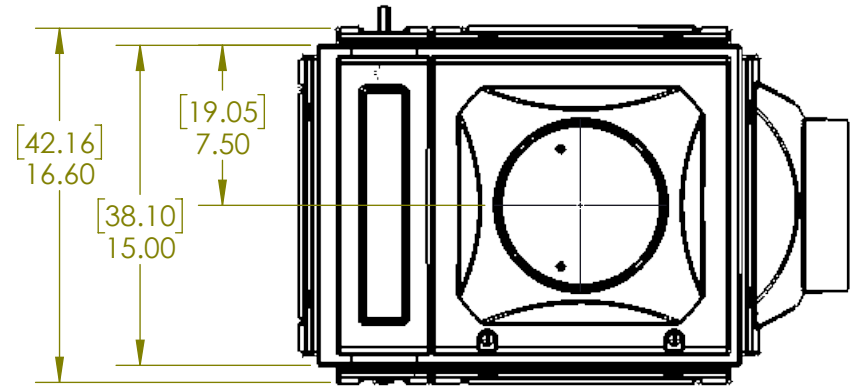



8 7 6 5 4 3 2 1



DIMENSIONS SHOWN WITH [] ARE CM

| | | | | | |
|--------------------------------------|--|-----------|------|--|----------|
| UNLESS OTHERWISE SPECIFIED: | | NAME | DATE |  7000 PERFORMANCE DRIVE, SYRACUSE, NY 13212, Tel. 315-452-7400 | |
| DIMENSIONS ARE IN INCHES | | DRAWN | MAF | | 03/05/21 |
| TOLERANCES: | | CHECKED | | | |
| FRACTIONAL ± 1/16 | | ENG APPR. | | | |
| ANGULAR: MACH ± 2 BEND ± 2 | | MFG APPR. | | | |
| TWO PLACE DECIMAL ± .03 | | | | TITLE: | |
| THREE PLACE DECIMAL ± .015 | | | | 1/4 TON PRO EVAP, NEXT GEN WG | |
| INTERPRET GEOMETRIC TOLERANCING PER: | | MATERIAL: | | SIZE | |
| COMMENTS: | | MODEL: | | B | |
| - | | | | DWG. NO. 99H0204-20 | |
| | | | | REV | |
| | | | | PATENT | |
| | | | | ~ | |
| DO NOT SCALE DRAWING | | | | SHEET 1 OF 2 | |

8 7 6 5 4 3 2 1